

Dole Refrigerating Co. Side Ram Freezer



Technical Data

Freezer Plate and Frame Assembly

Frame and Pressure Plate: All welded structural steel construction, heavy zinc metallized.

Freezer Plates: Dole's exclusive "Thermo-Film" vacuum plates consisting of square steel refrigerant tubing, bent on 2" centers, enclosed in heavy gauge steel casing finished in extra heavy metallized zinc. Also available in stainless steel or Dole's exclusive extruded aluminum plates with refrigerant circuiting for optimum heat transfer over entire freezing surface. Extremely flat surfaces for complete total product contact with freezing surface.

Refrigerant Headers: Specially designed to provide efficient refrigerant distribution. All welded construction with heavy metallized zinc. Liquid and suction connection, designed for specific refrigerant, load and method of feed.

Hoses: Durable stainless steel hoses developed and industry approved for ammonia application. Fittings permanently assembled to hose. Orifices supplied in liquid feed to insure proper refrigerant distribution for forced re-circulating system.

Spacers: Aluminum angles provide proper spacing during product freezing and help guide trays during loading and unloading.

Lifting Bolts: Stainless steel for maximum resistance to abrasion and corrosion. Equipped with locknuts for maximum plate spacing.

Plate Guides: Stainless steel rods to control vertical and horizontal plate motion.

Insulated Cabinet

Outer Shell: 1/8" thick, molded fiberglass reinforced with polyester resin, white gel coat finish.

Interior: 3/4" and 1 1/4" thick plywood edge framing (2) and 1/8" thick masonite face sheets.

Insulation: Poured-in-place fluorocarbon expanded rigid urethane foam; k=0.13 BTU in/hr sq ft °F.

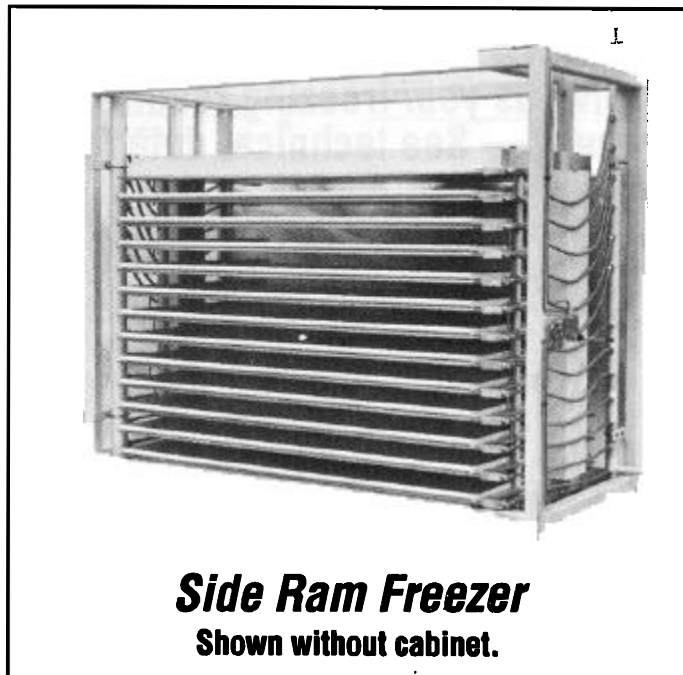
Hardware: Heavy duty hinges and cam-latches attached to steel plates.

Hydraulic System

Cylinder: Side-mounted, brass cylinder body, steel mountings and heads. One piece cast iron piston with hard chrome-plated piston rod. Rated at 1000 PSI.

Control Valve: Four-way, three position, closed center spool, fully balanced, plunger type, rated up to 1500 PSI. Built-in check valve and relief valve. Hardened and chrome plated spool.

Pressure Build-up Safety Valve: Consists of pressure relief valve arrangement to prevent possible excessive pressure build-up in cylinder due to expansion of food packages during freezing.



Side Ram Freezer
Shown without cabinet.

Optional Equipment

Hydraulic Power Unit Assembly: Consists of motor, pump and tank, including pressure relief valve and gauge with shut-off valve, oil filter, strainer, air breather and oil level gauge; designed for continuous operation. 3-phase 220/440 V A.C. motor supplied unless otherwise specified. Motor starter is included. Available in two models as follows:

	Model A	Model B
Number of freezers handled	up to 4	up to 6
Operating pressure	as req'd	as req'd
Pump capacity	6.0 gpm	9.3 gpm
Motor horsepower	1 1/2 HP	2 HP
Tank capacity	30 gal.	50 gal.

Surge Drum and Float Valve Assembly: For flooded systems, a surge drum ASME certified, sized in accordance with Freze-Cel capacity. Insulated with 4" poured-in-place polyurethane foam inside of a white fiberglass reinforced polyester jacket. Equipped with low side float and strainer. Connections: 3" MPT suction, 1/2" FPT liquid, 1/2" MPT relief and 1/2" MPT liquid by-pass. All connections conveniently located on one side below top of surge drum.

Sea Rails: Zinc metallized bars prevent product trays from moving off of freezing surfaces when plates are in "Open" position.

Isolation Valves: Individual ball valves for each plate to isolate plate from others in the event of refrigerant leakage or times when only a partial load is being frozen.

Freezing Trays: Aluminum or stainless steel pans can be supplied to customer's specifications.



DOLE REFRIGERATING COMPANY

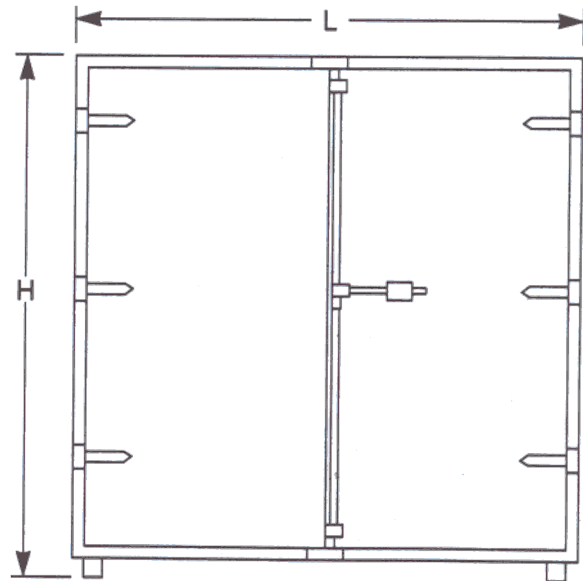
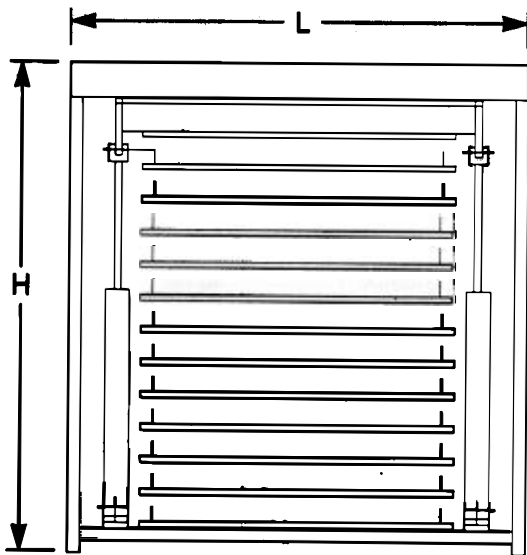
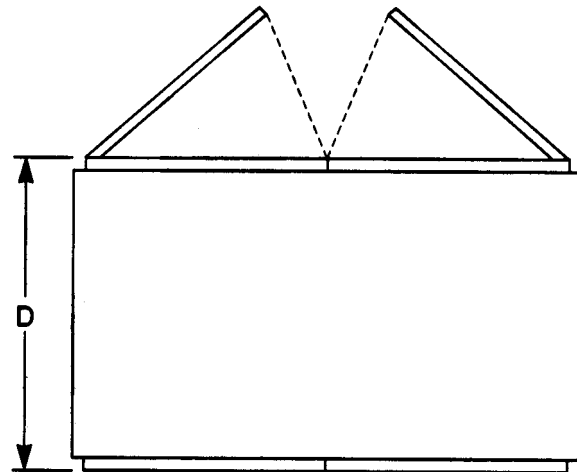
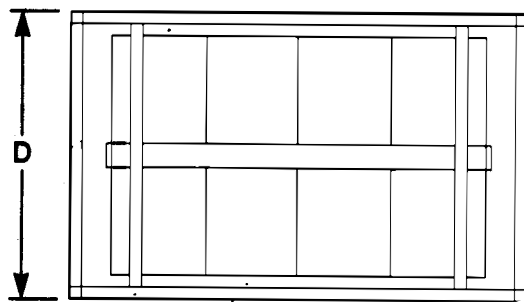
1420 Higgs Road • Lewisburg, TN 37091-1009
Phone (931) 359-6211 • 1-800-251-8990 • Fax (931) 359-8664
e-mail: www.doleref.com or dole@doleref.com

Dole Refrigerating Co. Side Ram Freezer



Dole is *Flexible* — So Are Our *Side Ram Freezers*

Give us *your* freezing requirements — We will build a freezer to meet them — See technical data for specifications & options available.



— LESS CABINET —

— WITH CABINET —

H	72-96	1
L	96-120	2
D	48-66	2

H	79-103	1
L	102-126	2
D	56-74	2

Notes:

- 1 Overall height depends on number of stations & maximum opening.
- 2 Length (L) & Depth (D) depend on plate freezing surface.

Dole Refrigerating Co. Side Ram Freezer



Specifications

Freezer Plate and Frame Assembly

Frame and Pressure Plate: All welded, structural steel construction, heavy zinc metallized.

Freezer Plates: Dole's exclusive "Thermo-Film" vacuum plates consisting of square steel refrigerant tubing, bent on 2" centers, enclosed in heavy gauge steel casing finished in extra heavy metallized zinc. Also available in stainless steel or Dole's exclusive extruded aluminum plates with refrigerant circuiting for optimum heat transfer over entire freezing surface. Extremely flat surfaces for complete total product contact with freezing surface.

Refrigerant Headers: Specially designed to provide efficient refrigerant distribution. Liquid and suction connection, designed for specific refrigerant, load and method of feed.

Hoses: Durable stainless steel hoses developed and industry approved for ammonia application. Fittings permanently assembled to hose. Orifices supplied in liquid feed to insure proper refrigerant distribution for forced re-circulating system.

Spacers: Aluminum angles provide proper spacing during product freezing and help guide trays during loading and unloading.

Lifting Bolts: Stainless steel for maximum resistance to abrasion and corrosion. Equipped with locknuts for maximum plate spacing.

Plate Guides: Stainless steel rods to control vertical and horizontal plate motion.

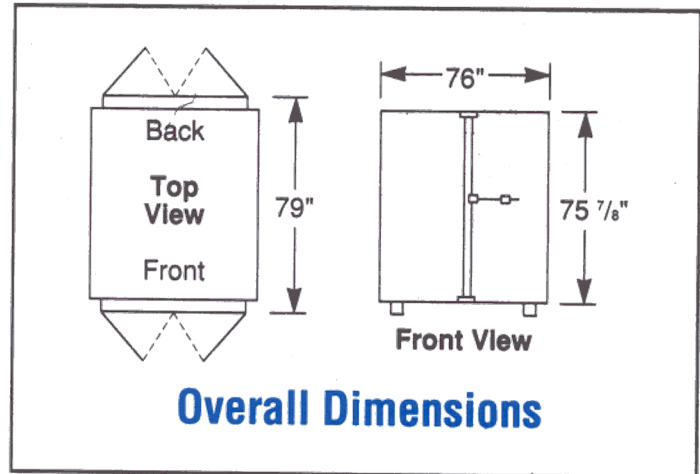
Hydraulic System

Cylinder: Side-mounted, brass cylinder body, steel mountings and heads. One piece cast iron piston with hard chrome-plated piston rod. Rated at 1000 PSI.

Control Valve: Four-way, three position, closed center spool, fully balanced, plunger type, rated up to 1500 PSI. Built-in check valve and relief valve. Hardened and chrome plated spool.

Pressure Build-up Safety Valve: Consists of pressure relief valve arrangement to prevent possible excessive pressure build-up in cylinder due to expansion of food packages during freezing.

Hand Pump: Manually operated pump with integral check valves.



Insulated Cabinet

Outer Shell: 1/8" thick, molded fiberglass reinforced with polyester resin, white gel coat finish.

Interior: 3/4" and 1 1/4" thick plywood edge framing (2) and 1/8" thick masonite face sheets.

Insulation: Poured-in-place fluorocarbon expanded rigid urethane foam; $k=0.13$ BTU in/hr sq ft °F.

Hardware: Heavy duty hinges and cam-latches attached to steel plates.

Optional Equipment

Sea Rails: Zinc metallized bars prevent product trays from moving off of freezing surfaces when plates are in "Open" position.

Isolation Valves: Individual ball valves for each plate to isolate plate from others in the event of refrigerant leakage or times when only a partial load is being frozen.

Freezing Trays: Aluminum or stainless steel pans can be supplied to customer's specifications.

Hydraulic Remote Powered System: In lieu of hand operated pump.



DOLE REFRIGERATING COMPANY

1420 Higgs Road • Lewisburg, TN 37091-1009
Phone (931) 359-6211 • 1-800-251-8990 • Fax (931) 359-8664
e-mail: www.doleref.com or dole@doleref.com